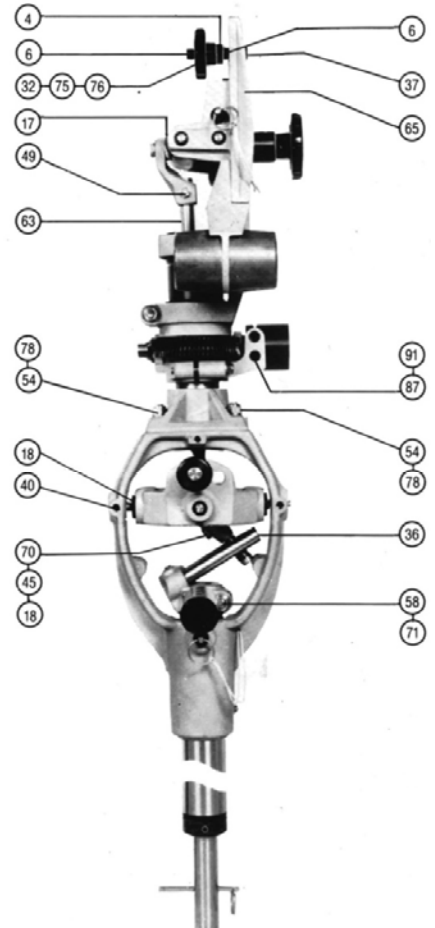
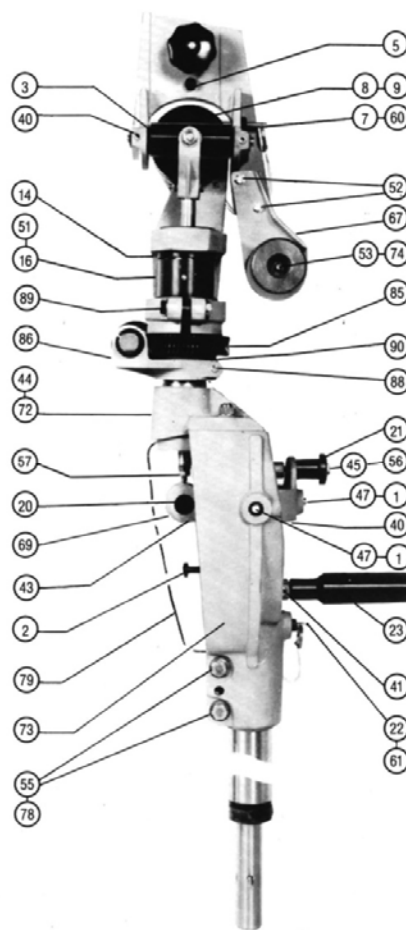
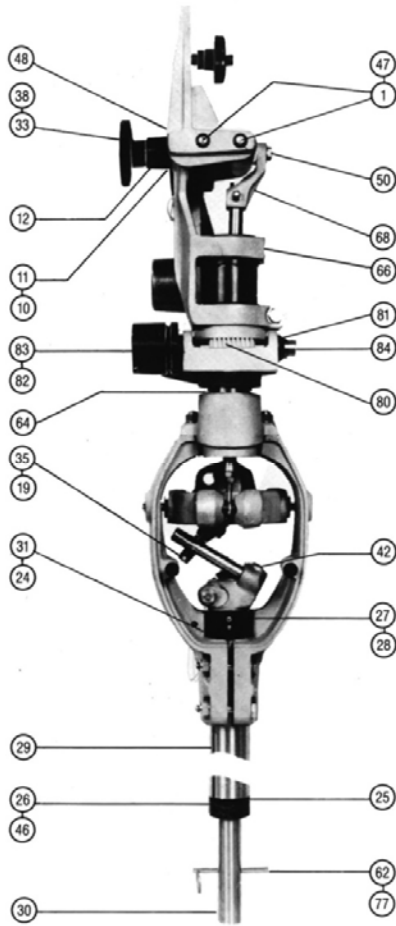
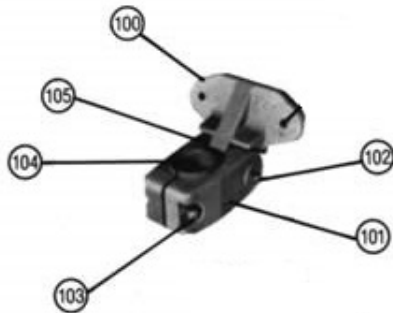


# HYDROVANE VXA2 SCHEMATIC

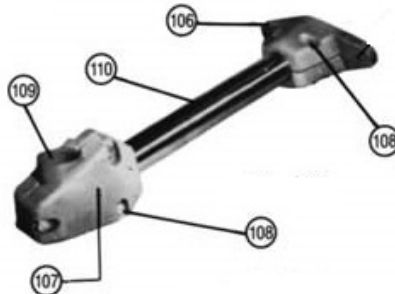
Drive Unit Model since 1986



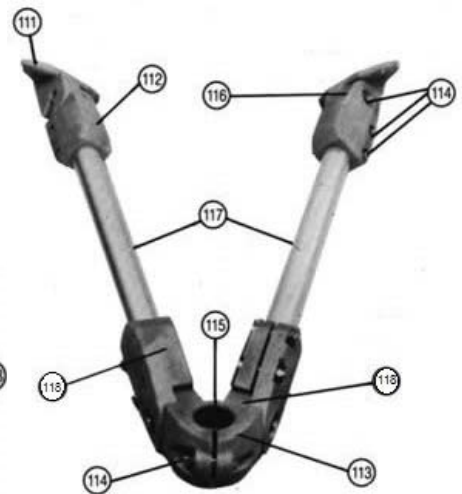
## BRACKETS



H Bracket Assembly



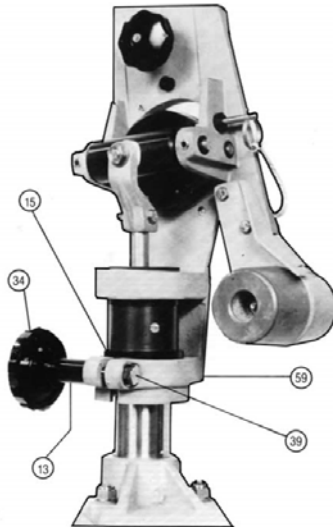
E Bracket Assembly



A Bracket Assembly

# HYDROVANE VXA1

Manual Course Control / Old Bobbin / Con Rod



## HYDROVANE VXA PARTS LIST

VXA 2 – remote course setting / VXA 1 – manual course setting

Part No.	Description	Material / Qty
1	Axle Sleeve	p8
2	Case Screw	p2
3	Bobbin	p1
4	Vane Slot Collar	p1
5	Vane Slot Peg	p1
6	Vane Slot Sleeve	p2
7	Vane Pin Sleeve	p1
8	Vane Axis Disc	p1
9	Vane Axis Washer	p1
10	Tilt Bolt Sleeve	p1
11	Tilt Bolt Washer	p1
12	Tilt Bolt Cover	p1
13	Heading Clamp Spacer	p1
14	Top Bearing	p1
15	Bottom Bearing	p1
16	Heading Collar	p1
17A	Bobbin Washer	s1
17B	Bobbin Cotter Pin	s1
18	Lever Bearing	p4
19	Drive Sleeve	p1
20	Ball Socket	p2
21	Ratio Knob	p1

Part No.	Description	Material / Qty
54	Top Frame Stud Set	s2
55	Shaft Bolt Set	s2
56	Ratio Bolt/Spring Set	s1
57	Ball Screw Set	s1
58	Fork Bolt Set	s1
59	Bottom Bearing Screw	s1
60	Vane Lock Pin	s1
61	Shaft Lock Pin	s1
62	Rudder Pin	s1
63	Con-rod	a1
64	Heading Tube	s1
65	Vane Lever	c1
66	Top Mounting	c1
67	Weight Arm	c1
68	Con-rod Top (old - OP)	c1
69	Bottom Lever	c1
70	Ratio Arm	c1
71	Fork Arm	c1
72	Top Frame	c1
73	Main Frame	c1
74	Balance Weight Pair	c1
75	Wind Vane Frame	a/c1

22	Shaft Lock Sleeve	p1
23	Tiller	p/s1
24	Shaft Top Bearing	p1
24M	Shaft Mid Bearing	p1
25	Shaft Bottom Bearing	p1
26	Shaft Bottom Collar	p1
26	Shaft Bottom Collar (new)	s1
27	Shaft Race Collar	p1
28	Race Collar Pin	s1
29S	Rudder Tube S 757mm	s
29M	Rudder Tube M 986mm	s
29L	Rudder Tube L 1240mm	s
29X	Rudder Tube X 1494mm	s
30S	Rudder Shaft S 979mm	s
30M	Rudder Shaft M 1208mm	s
30L	Rudder Shaft L 1462mm	s
30X	Rudder Shaft X 1716mm	s
31	Shaft Ball Race	p19
32	Vane Knob	p1
33	Axis Knob	p1
34	Heading Knob (VXA1)	p1
35	Ratio Rod	s1
36	Drive Rod	s2
37	Vane Bolt Set	s1
38	Axis Bolt Set	s1
39	Heading Bolt Set	s1
40	Axle Screw	s8
41	Tiller Screw	s1
42	Drive Rod Screw	s1
43	Ball Socket Screw	s2
44	Heading Tube Screw	s1
45	Ratio Screw	s2
46	Shaft Collar Screw	s1
47	Axle	s8
48	Tilt Stop Stud	s1
49	Con-rod Bolt Set (OP)	s1
50A	Bobbin Bolt Set/Clevis Pin	s1
50B	Bobbin Igus Bushings	p2
51	Heading Collar Screw	s1
52	Weight Arm Bolt Set	s2
53	Weight Bolt Set	s1

76	Wind Vane Cover	1
77	Rudder	p1
78	Bolt Sleeves	p6
79	Frame Case	p1
79B	LED Stern Light	s
79C	Stern Light Bolt Set	s
80	<i>Worm</i>	p1
81	<i>Worm Bearings</i>	p2
82	<i>Grooved Wheel</i>	p1
83	<i>Grooved Wheel Screw</i>	s1
85	<i>Worm Wheel</i>	p1
86	Worm Box (machined)	c1
87	<i>Worm Line Fairleads</i>	p2
88	<i>Worm Box Stud Set</i>	s1
89	<i>Gear Clamp Bolt Set</i>	s1
90	<i>Bearing Washer</i>	p1
91	<i>Remote Line Set</i>	1
92	<i>Worm End Plate</i>	s1
BRACKETS		
100	H Mounting Flange	c1
101	H Shaft Clamp Pair	c1
102	H Long Bolt Set	s1
103	H Short Bolt Set	s1
104	H Shaft Sleeve	p1
105	H Swivel Washer	p2
106	E Transom Clamp Pair	c1
107	E Shaft Clamp Pair	c1
108	E Bolt Set	s5
109	E Shaft Sleeve	p1
110	E Stay Tube	s1
111	A Mounting Flange	c2
112	A Stay Tube Clamp	c4
113	A Shaft Clamp	c1
114	A Bolt Set	s11
114B	A Bolt Set - Extendable	s2
115	A Shaft Sleeve	p1
116	A Swivel Washer	p4
117	A Stay Tube	s2
118	A Extend Stay Tube Clamp	c2
119	A Saddle Washer	a2
120	A Fulcrum	a2

Materials: p - plastic s - stainless a - alloy c - casting
Course Setting: Parts in italics are VXA2 only
OP - out of production